

# UBBL39

## Technical Datasheet



### Features

- Off-the-shelf convenience
- Wire or connector terminals
- Full circuit protection
- Meets all UN transportation testing
- Long cycle life
- High energy density
- Wide operating temperature range
- Lightweight
- No memory effect

### Applications

- Portable electronics
- Hand-held devices
- Medical equipment
- Back-up power

### Accessories Optional

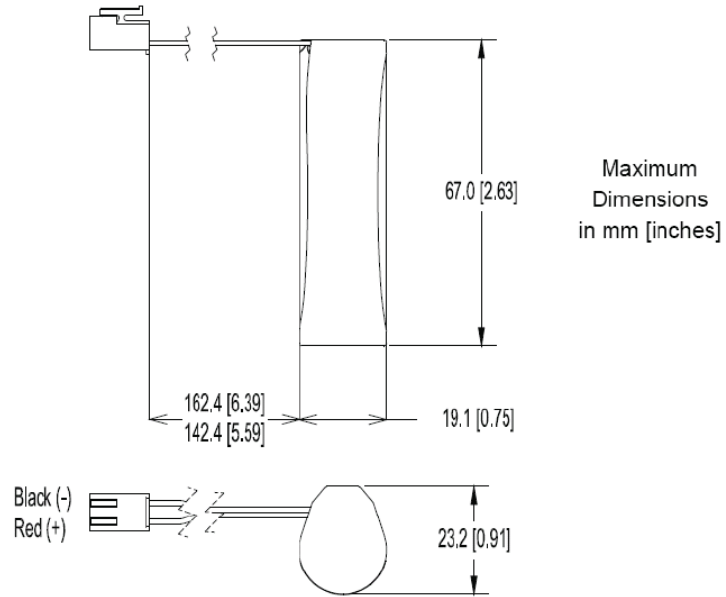
- UCH0036-S: Wall Wart charger (U.S.)
- UCH0036-I: Wall Wart charger (International)
- UCA0102-01: Interface cable for UBBL19-FL
- UCA0102-02: Interface cable for UBBL19-C1

### Technical Specifications

|  |   |
|--|---|
| <b>Part No.</b>                            | UBBL39-FL or UBBL39-C1  |
| <b>Voltage Range</b>                       | 2.75 to 4.2V  |
| <b>Average Voltage</b>                     | 3.6V  |
| <b>Capacity</b>                            | 2.9Ah @ C/5 Rate @ 23°C±2°C   |
| <b>Max. Discharge</b>                      | 2.5A continuous   |
| <b>PTC</b>                                 | Rated for 2.6A hold current @ 20°C  |
| <b>Energy</b>                              | 10.4Wh  |
| <b>Energy Density</b>                      | 208Wh/kg, 520Wh/l   |
| <b>Weight</b>                              | ~52g  |
| <b>Cycle Life</b>                          | > 300 cycles @ C/5 to 80% of initial capacity   |
| <b>Memory</b>                              | No Memory Effect  |
| <b>Operating Temperature</b>               | -32°C to 60°C   |
| <b>Storage Temperature</b>                 | -32°C to 50°C   |
| <b>Self-Discharge</b>                      | < 10% per month   |
| <b>Exterior/Housing</b>                    | PVC Shrink Wrap   |
| <b>Terminals/Connector</b>                 | FL: 22 AWG wire leads Red (+), Black (-)<br>C1: JST Connector VHR-2N  |
| <b>Safety</b>                              | Material Safety Datasheet - MSDS041<br>Safety Guide UBM-5112  |
| <b>Transportation</b>                      | Exempted from regulations for packages with gross mass of 10kg or less (see note)   |
| <b>Protection Circuit Module and Fuses</b> | Over Voltage Limit: 4.35±0.025V (per cell)<br>Under Voltage Limit: 2.50±0.1V (per cell)<br>Over Discharge Current Limit: 3.4 - 4.5A                                 |
| <b>Charging</b>                            | Recommended charge rate is 500mA to 4.2V in a temperature range of 0°C to 45°C. Hold at 4.2V until current declines to 50mA. Maximum charge rate is 2.2A @ 23°±2°C. |
| <b>Note</b>                                | A complete description of transportation regulations, lithium weights and transportation classifications is available on the Ultralife website.                     |

# Dimensions

UBBL39-FL: Wire Leads  
 UBBL39-C1: Connector



# Performance Graphs

