

# UBBL19

## Technical Datasheet



### Features

- Off-the-shelf convenience
- Wire or connector terminals
- Full circuit protection
- Meets all UN transportation testing
- Long cycle life
- High energy density
- Wide operating temperature range
- Lightweight
- No memory effect

### Applications

- Portable electronics
- Hand-held devices
- Medical equipment
- Back-up power

### Accessories Optional

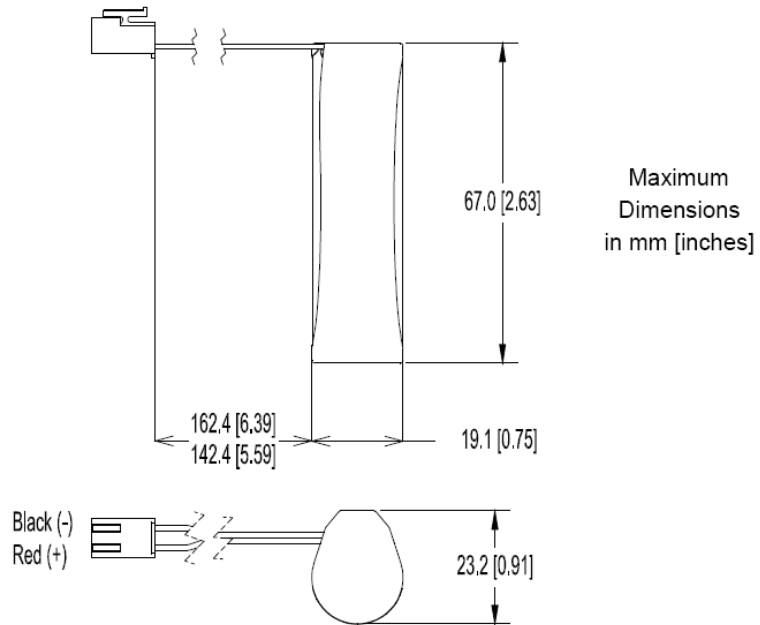
- UCH0036-S: Wall Wart charger (U.S.)
- UCH0036-I: Wall Wart charger (International)
- UCA0102-01: Interface cable for UBBL19-FL
- UCA0102-02: Interface cable for UBBL19-C1

### Technical Specifications

<b>Part No.</b>	UBBL19-FL or UBBL19-C1
<b>Voltage Range</b>	3.0 to 4.2V
<b>Average Voltage</b>	3.6V
<b>Capacity</b>	2.4Ah @ C/5 Rate @ 23°C±2°C
<b>Max. Discharge</b>	2.5A continuous
<b>PTC</b>	Rated for 2.6A hold current @ 20°C
<b>Energy</b>	8.6Wh
<b>Energy Density</b>	172Wh/kg, 430Wh/l
<b>Weight</b>	~52g
<b>Cycle Life</b>	> 300 cycles @ C/5 to 80% of initial capacity
<b>Memory</b>	No Memory Effect
<b>Operating Temperature</b>	-20°C to 60°C
<b>Storage Temperature</b>	-20°C to 50°C
<b>Self-Discharge</b>	< 10% per month
<b>Exterior/Housing</b>	PVC Shrink Wrap
<b>Terminals/Connector</b>	FL: 22 AWG wire leads Red (+), Black (-) C1: JST Connector VHR-2N
<b>Safety</b>	Material Safety Datasheet - MSDS041 Safety Guide UBI-5112
<b>Transportation</b>	Exempted from regulations for packages with gross mass of 10kg or less (see note)
<b>Protection Circuit Module and Fuses</b>	Over Voltage Limit: 4.35±0.025V (per cell) Under Voltage Limit: 2.50±0.1V (per cell) Over Discharge Current Limit: 3.4 - 4.5A
<b>Charging</b>	Recommended charge rate is 466mA to 4.2V in a temperature range of 0°C to 45°C. Hold at 4.2V until current declines to 50mA. Maximum charge rate is 1.63A @ 23°±2°C.
<b>Note</b>	A complete description of transportation regulations, lithium weights and transportation classifications is available on the Ultralife website.

# Dimensions

UBBL19-FL: Wire Leads  
 UBBL19-C1: Connector



# Performance Graphs

